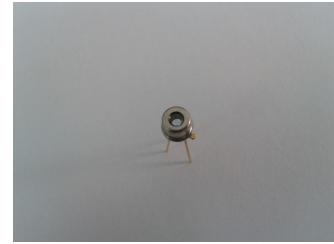


1mm InGaAs PIN photodiode

Model: LSIPD-L1

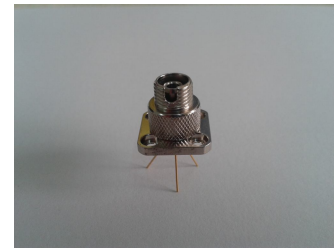
Features:

- High reliability, low dark current
- Top illumination planar PIN PD
- Active diameter 1mm
- To-46 for flat-window



Applications:

- Industrial automatic control
- Science analysis and experiment
- Space light detect equipment
- Optical power meter
- Response spectrum testing



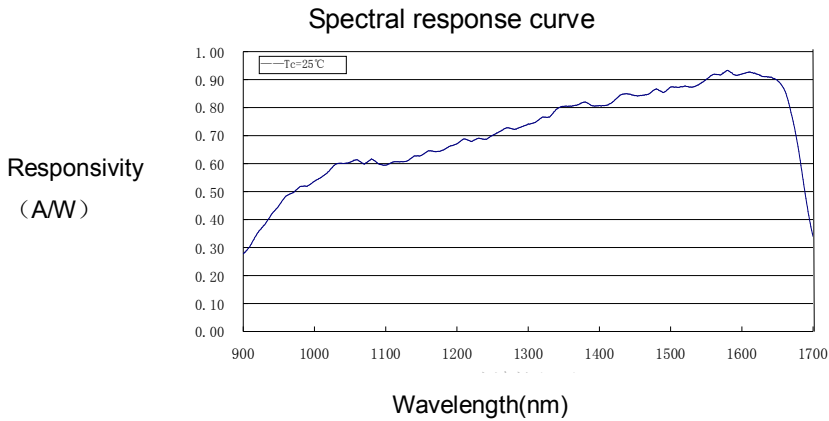
Absolute maximum ratings:

parameter	symbol	value	unit
Operating temperature	Top	-40~+85	°C
Storage temperature	Tstg	-40~+100	°C
Forward current	I _f	10	mA
Reverse voltage	V _r	20	V
Reverse current	I _r	1	mA
Soldering temperature(time)	Ts (10s)	260	°C

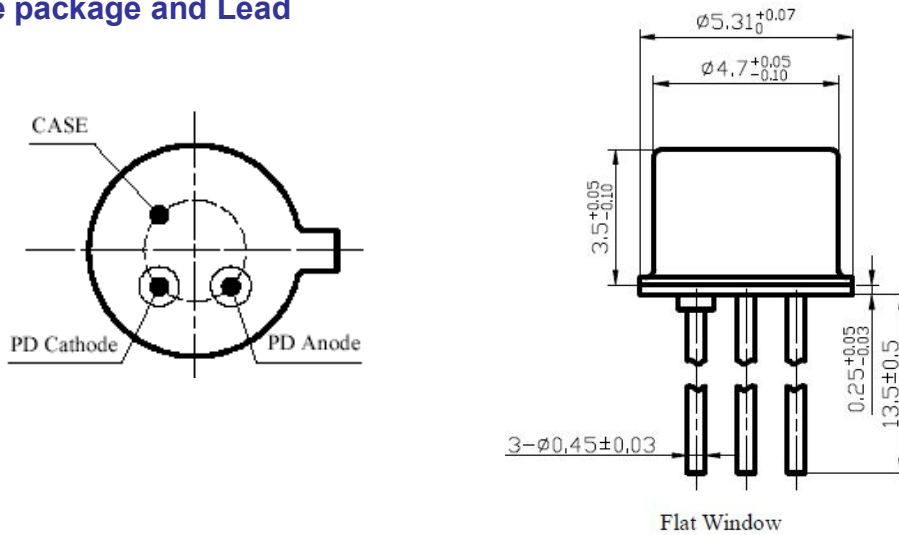
Electrical and optical characteristics:(T=25°C)

parameter	symbol	unit	Value (typ.)
Active diameter	Φ	mm	1
Spectral range	λ	nm	800-1700
Responsivity	Re (V _R =0V,λ=1310nm)	mA/mW	0.85
	Re(V _R =-0V,λ=1550nm)	mA/mW	0.90
Response time	Tr (R _L =50Ω,0V)	ns	200
Dark current	I _D (0V)	nA	0.1nA
	I _D (-5V)	nA	3nA
Reverse Breakdown voltage	V _{BR} (I _R =10uA)	V	20
Junction capacitance	C _j (f=1MHz,0V)	pF	200
Saturated Optical Power	Ps(V _R =0V)	mW	10
Operating voltage	V _R	v	0-5
Shunt impedance	Rsh (V _R =10mV)	MΩ	1.3
package	TO-46		

The typical Responsivity curve



The package and Lead



Order information

LSIPD-L1-X

- X=0 TO-46 Can with flat window cap
- X=JKFC TO-46 Can with FC receptacle
- X=Other By customer's request

The cautions

The suitable ESD protection is required in storage, transportation and using