

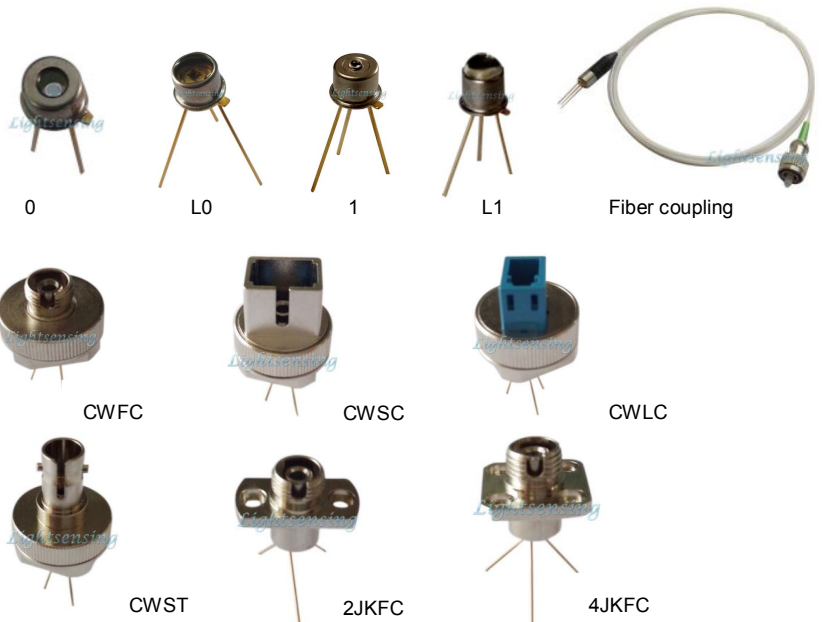
1mm InGaAs PIN photodiode

Version: 3.2 17-05-26

Model: LSIPD-L1

Features:

- High reliability, low dark current
- 800-1700nm spectral range
- Active diameter 1mm
- Hermetic TO46 Can or with receptacle or with fiber coupling



Applications:

- Optical sensor and Optical power meter
- Industrial automatic control
- Science analysis and experiment
- Space light detect equipment
- Response spectrum testing

Absolute maximum ratings:

parameter	symbol	value	unit
Operating temperature	Top	-40~+85	°C
Storage temperature	Tstg	-40~+100	°C
Forward current	If	12	mA
Reverse voltage	Vr	20	V
Soldering temperature(time)	Ts (10s)	260	°C

Electrical and optical characteristics:(T=25°C)

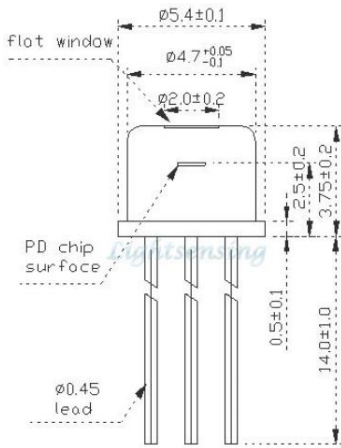
parameter	symbol	unit	Value typ.
Active diameter	Φ	mm	1
Spectral range	λ	nm	800-1700
Responsivity	Re(VR=0V, λ =1310nm)	mA/mW	0.85
	Re(VR=0V, λ =1550nm)	mA/mW	0.90
Response time	Tr (RL=50 Ω ,VR=5V)	ns	10
Dark current	Id(VR=0V)	nA	0.1
	Id(VR=5V)	nA	1
Reverse Breakdown voltage	VBR (IR=10uA)	V	30
Junction capacitance	Cj (f=1MHZ, VR=0V)	pF	1200
	Cj (f=1MHZ, VR=5V)	pF	75
Saturated Optical Power	Ps(VR =5V)	mW	10
Operating voltage	VR	V	0-5
Shunt resistance	Rsh (VR=10mV)	M Ω	100
package	Hermetic TO46 Can or with receptacle or with fiber coupling		

NOTICE: The above product specifications are subject to change without notice.

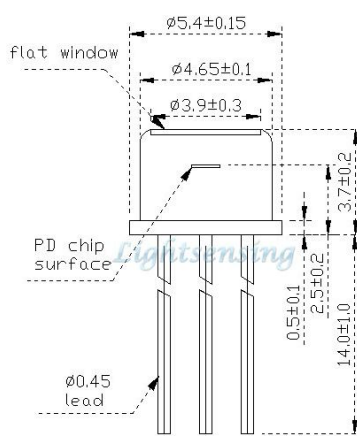
The typical Responsivity curve



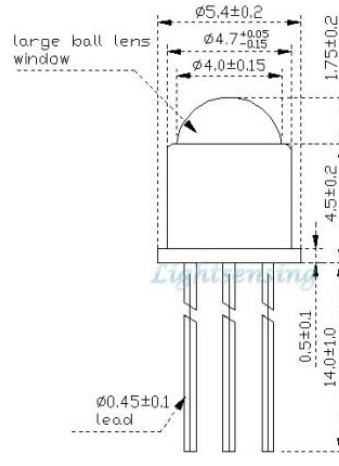
TO package and Lead



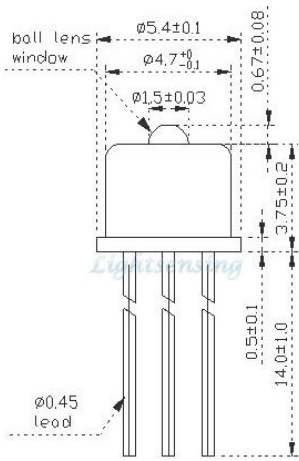
2mm flat window TO
Model: 0



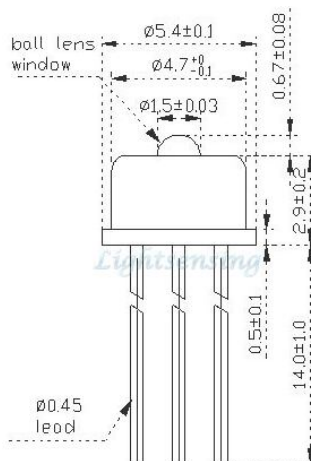
large flat window TO
Model: L0



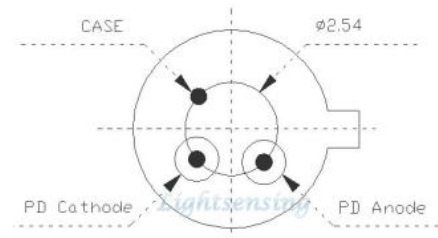
Large ball lens TO
Model: L1



Standard ball lens cap TO
Model: 1



Short ball lens cap TO
Model: S1



Type B PIN description
Bottom View

Note: In order to get other dimensions, please contact us.

Order information

	LSIPD-L1-X-X		
	↙ ↘		
X=B	Type B PIN description	X=0	TO-46 Can with 2mm flat window cap
X=other	By customer's request	X=0A	TO-46 Can with 2mm flat window cap and Antireflection Coatings
		X=L0	TO-46 Can with 3.9mm flat window cap
		X=L0A	TO-46 Can with 3.9mm flat window cap and Antireflection Coatings
		X=1	TO-46 Can with ball lens cap
		X=1A	TO-46 Can with ball lens cap and Antireflection Coatings
		X=S1	TO-46 Can with short ball lens cap
		X=S1A	TO-46 Can with short ball lens cap and Antireflection Coatings
		X=L1	TO-46 Can with large ball lens cap
		X=SMFA/P	TO-46 Can with SM Fiber coupling with FC-APC/FC-PC connector
		X=SMSA	TO-46 Can with SM Fiber coupling with SC-APC connector
		X=5MMFA/P	TO-46 Can with 50um MM Fiber coupling with FC-APC/FC-PC connector
		X=6MMFA/P	TO-46 Can with 62.5um MM Fiber coupling with FC-APC/FC-PC connector
		X=10MMA/P	TO-46 Can with 105um MM Fiber coupling with FC-APC/FC-PC connector
		X=20MMA/P	TO-46 Can with 200um MM Fiber coupling with FC-APC/FC-PC connector
		X=40MMA/P	TO-46 Can with 400um MM Fiber coupling with FC-APC/FC-PC connector
		X=CWFC	TO-46 Can with replaceable receptacle with FC connector
		X=CWSC	TO-46 Can with replaceable receptacle with SC connector
		X=CWLC	TO-46 Can with replaceable receptacle with LC connector
		X=CWST	TO-46 Can with replaceable receptacle with ST connector
		X=CWFC-1	TO-46 Can with replaceable receptacle with FC connector and better repeatability but with lower saturated power
		X=CWSC-1	TO-46 Can with replaceable receptacle with SC connector and better repeatability but with lower saturated power
		X=CWLC-1	TO-46 Can with replaceable receptacle with LC connector and better repeatability but with lower saturated power
		X=CWST-1	TO-46 Can with replaceable receptacle with ST connector and better repeatability but with lower saturated power
		X=CWFC-20dB	TO-46 Can with replaceable receptacle with FC connector and 20dB attenuation
		X=CWSC-20dB	TO-46 Can with replaceable receptacle with SC connector and 20dB attenuation
		X=CWLC-20dB	TO-46 Can with replaceable receptacle with LC connector and 20dB attenuation
		X=CWST-20dB	TO-46 Can with replaceable receptacle with ST connector and 20dB attenuation
		X=2JKFC	TO-46 Can with fixed receptacle with FC connector and 2 pieces of fix holes
		X=4JKFC	TO-46 Can with fixed receptacle with FC connector and 4 pieces of fix holes
		X=2JKFC-1	TO-46 Can with fixed receptacle with FC connector and 2 pieces of fix holes and better repeatability but with lower saturated power
		X=4JKFC-1	TO-46 Can with fixed receptacle with FC connector and 4 pieces of fix holes and better repeatability but with lower saturated power
		X=Other	By customer's request

The cautions

- 1: The above product specifications are subject to change without notice.
- 2: The suitable ESD protecting measures are recommend in storage,transporting and using.
- 3: The fiber bending radius no less than 20mm for avoiding fiber damaged ,Be sure the fiber coupling facet is clean before connecting it to opto-circuit.