

## 5mm InGaAs PIN photodiode

Version: 3.1 17-03-01

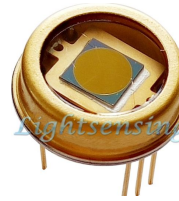
### Model: LSIPD-L5

#### Features:

- High reliability, low dark current
- Top illumination Planar PIN PD
- Large Active diameter 5mm
- Hermetic TO8 Can or with receptacle

#### Applications:

- Optical sensor
- Optical power meter
- Industrial automatic control
- Science analysis and experiment
- Space light detect equipment
- Response spectrum testing



0



20CWFC



20CWSC



20CWST

#### Absolute maximum ratings:

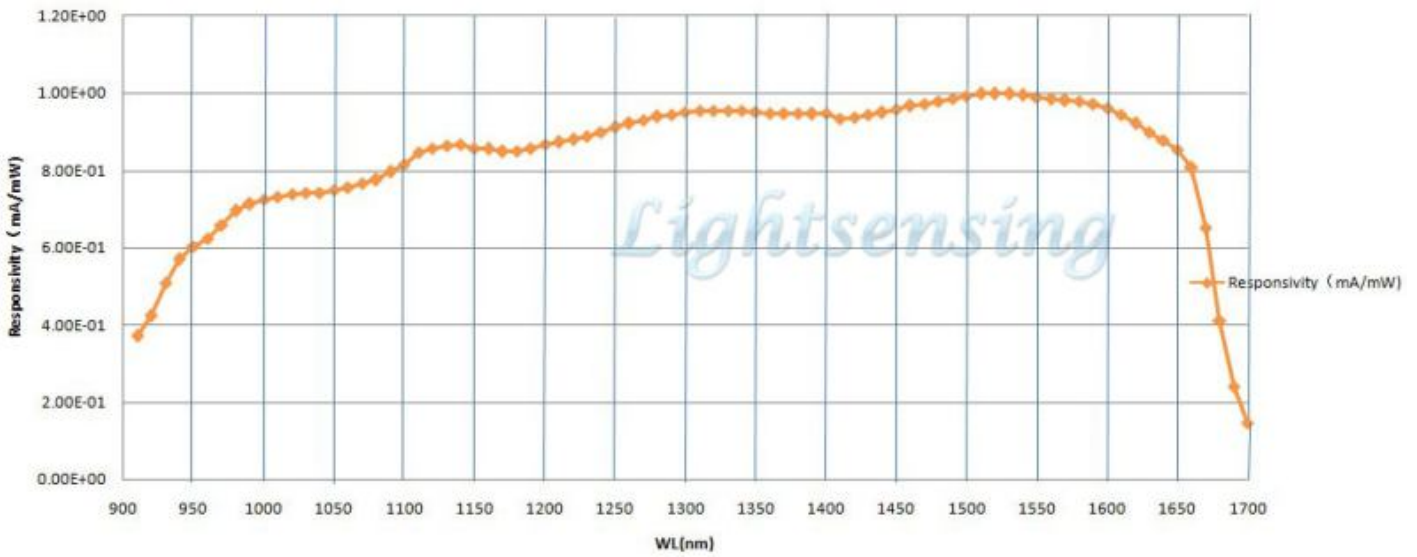
parameter	symbol	value	unit
Operating temperature	Top	-40~+85	°C
Storage temperature	Tstg	-40~+100	°C
Forward current	I <sub>f</sub>	16	mA
Reverse voltage	V <sub>r</sub>	10	V
Soldering temperature(time)	T <sub>s</sub> (10s)	260	°C

#### Electrical and optical characteristics:(T=25°C)

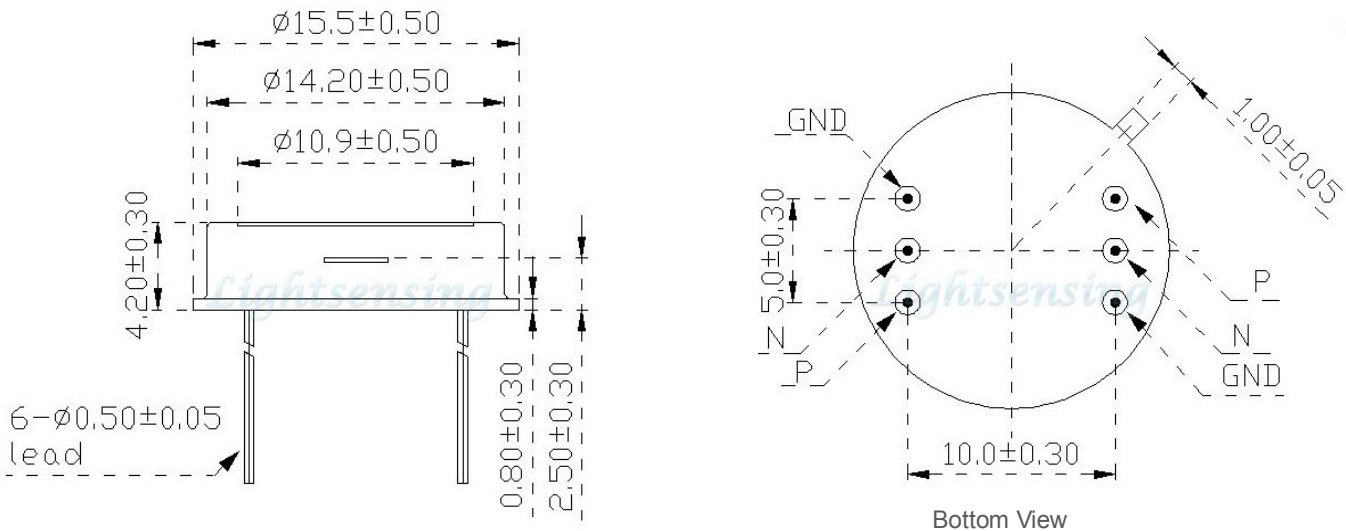
parameter	symbol	unit	Value (typ.)
Active diameter	Φ	mm	5
Spectral range	λ	nm	800-1700
Responsivity	Re(V <sub>R</sub> =0V,λ=1310nm)	mA/mW	0.85
	Re(V <sub>R</sub> =0V,λ=1550nm)	mA/mW	0.90
Response time	Tr (R <sub>L</sub> =50Ω,V <sub>R</sub> =5V)	ns	150
Dark current	Id(V <sub>R</sub> =0V)	nA	0.1
	Id(V <sub>R</sub> =5V)	nA	3
Reverse Breakdown voltage	V <sub>BR</sub> (I <sub>R</sub> =10uA)	V	20
Junction capacitance	C <sub>j</sub> (f=1MHz, V <sub>R</sub> =0V)	pF	4000
	C <sub>j</sub> (f=1MHz, V <sub>R</sub> =5V)	pF	1000
Saturated Optical Power	P <sub>s</sub> (V <sub>R</sub> =5V)	mW	15
Operating voltage	V <sub>R</sub>	V	0-5
Shunt resistance	R <sub>sh</sub> (V <sub>R</sub> =10mV)	MΩ	100
package	Hermetic TO8 Can or with receptacle		

NOTICE: The above product specifications are subject to change without notice.

### The typical Responsivity curve



### TO package and Lead



### Order information

LSIPD-L5-X

X=0	TO-8 Can with flat window Au cap
X=20CWFC	TO-8 Can with 20mm replaceable receptacle with FC connector
X=20CWSC	TO-8 Can with 20mm replaceable receptacle with SC connector
X=20CWST	TO-8 Can with 20mm replaceable receptacle with ST connector
X=Other	By customer's request.

### The cautions

- 1: The above product specifications are subject to change without notice.
- 2: The suitable ESD protecting measures are recommend in storage, transporting and using.