

## 830nm 60mW FP SM coaxial laser diode

Version: 3.1 17-03-01

**Model: LSFLD830-60**
**Features:**

- MQW F-P LD
- Single mode
- Built-in monitor PD
- Metal can type hermetic
- Low threshold/operate current
- High reliable


**Applications:**

- Optical Sensing
- Industrial automatic control
- Science analysis and experiment
- Test and Measurement Equipment
- Laser range finder

**Absolute maximum ratings:**

parameter	symbol	value	unit
Operating temperature	Top	-10~+60	°C
Storage temperature	Tstg	-40~+85	°C
Laser diode Reverse voltage	V <sub>r</sub>	2	V
Soldering temperature/time		260/10	°C/S

**Electrical and optical characteristics:(T=25°C)**

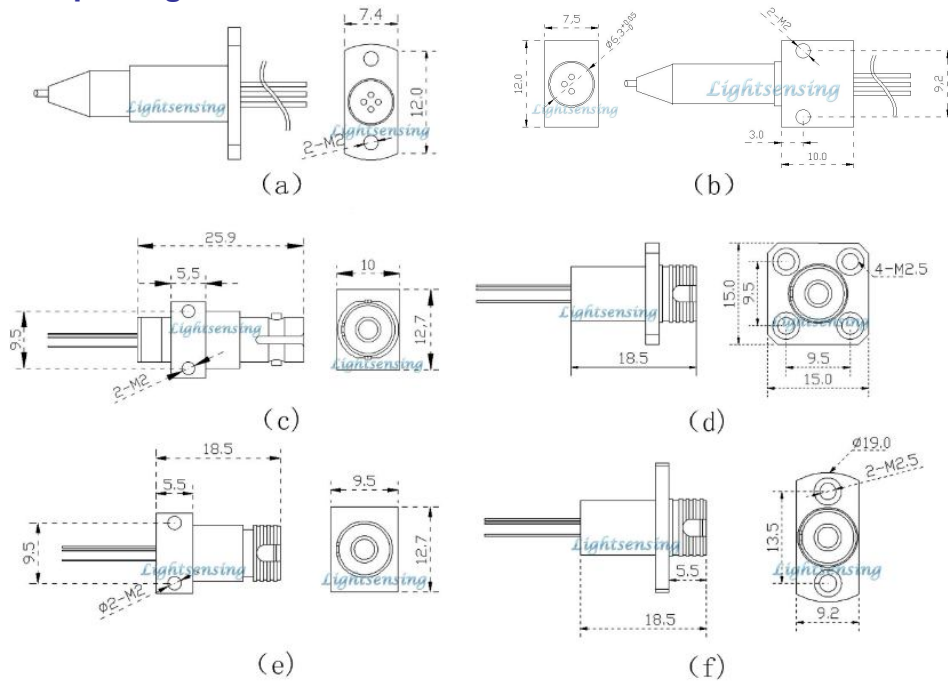
parameter	symbol	Min.	Typ.	Max.	unit
Center wavelength	$\lambda$	815	825	835	nm
Threshold Current	I <sub>th</sub>		50	70	mA
Operating Current	I <sub>op</sub>		230	260	mA
Spectral width	$\Delta\lambda$		3		nm
Operating Voltage	V <sub>op</sub>		2.1	2.5	V
Light output power(from 9um SM fiber)*1	P <sub>o</sub> (CW)		60		mW
Monitor Output Current	I <sub>m</sub>	0.01	0.5	1.0	mA
package	TO18 Can with fiber coupling or receptacle				

\*1 Note: for 62.5um MM fiber, the output power can double.

For 5um SM fiber (NA =0.13), the output power can reduce about 50%

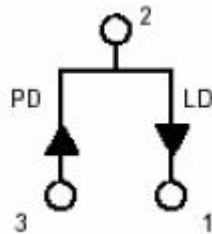
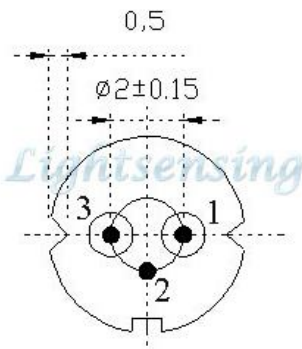
NOTICE: The above product specifications are subject to change without notice.

## The package Dimensions



## PIN description

Bottom View



pin	function
1	LD Cathode
2	LD anode, PD cathode, case
3	PD anode

## Order information

LSFLD830-X-X

mW  
X=60  
X=other

X=a a package with 4um SM, 9um SM or MM Fiber coupling with FC/UPC or FC/APC connector  
 X=b b package with 4um SM, 9um SM or MM Fiber coupling with FC/UPC or FC/APC connector  
 X=cJKST c package with ST receptacle  
 X=dJKFC d package with FC receptacle  
 X=e JKFC e package with FC receptacle  
 X=f JKFC f package with FC receptacle  
 X=Other By customer's request

## The cautions

1: The suitable ESD protection is required in storage, transportation and using

2: The fiber bending radius no less than 20mm for avoiding fiber damaged, Be sure the fiber coupling facet is clean before connecting it to opto-circuit.