

1064nm 15mW FP SM coaxial laser diode

Version: 3.1 17-03-01

Model: LSFLD1064-15**Features:**

- MQW F-P LD
- Single mode
- Built-in monitor PD
- Metal can type hermetic
- Low threshold/operate current
- High reliable

**Applications:**

- Optical Sensing
- Industrial automatic control
- Science analysis and experiment
- Test and Measurement Equipment

Absolute maximum ratings:

| parameter | symbol | value | unit |
|-----------------------------|----------------|---------|------|
| Operating temperature | Top | -10~+50 | °C |
| Storage temperature | Tstg | -15~+85 | °C |
| Laser diode Reverse voltage | V _r | 2 | V |
| Soldering temperature/time | | 260/10 | °C/S |

Electrical and optical characteristics:(T=25°C)

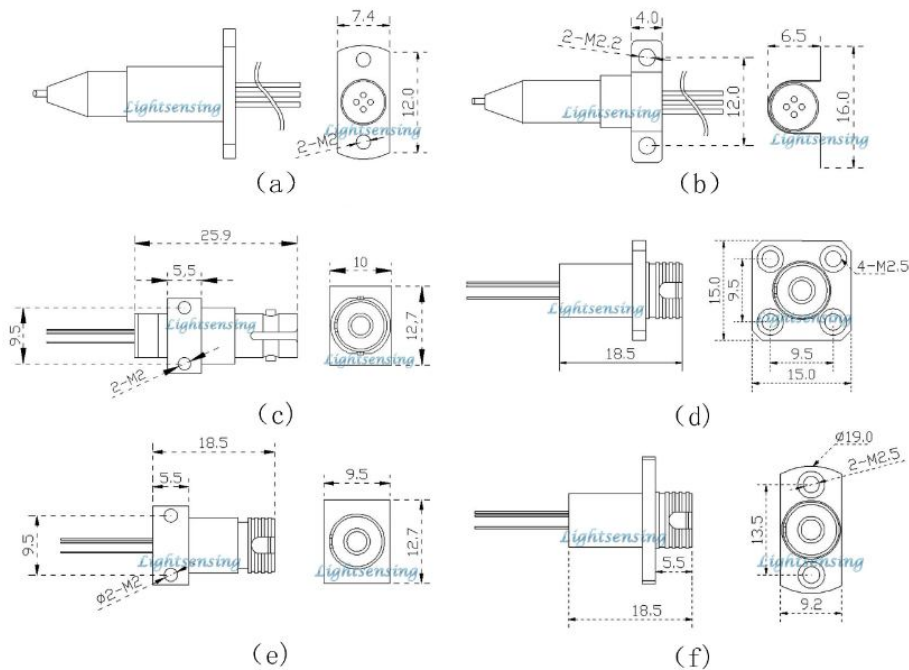
| parameter | symbol | Min. | Typ. | Max. | unit |
|---|---|------|------|------|------|
| Center wavelength | λ | 1058 | 1064 | 1070 | nm |
| Threshold Current | I _{th} | | 20 | 40 | mA |
| Operating Current | I _{op} | | 100 | 140 | mA |
| Spectral width | $\Delta\lambda$ | | 3 | | nm |
| Operating Voltage | V _{op} | | 1.8 | 2.3 | V |
| Light output power(from 9um SM fiber)*1 | P _o (CW) | | 15 | | mW |
| Monitor current | I _m | 0.2 | 1 | 2 | mA |
| package | Hermetic TO18 Can with fiber coupling or receptacle | | | | |

*1 Note: for 62.5um MM fiber, the output power can double.

For 6um SM fiber (NA =0.14), the output power can reduce about 50%.

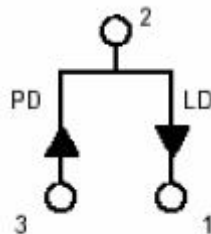
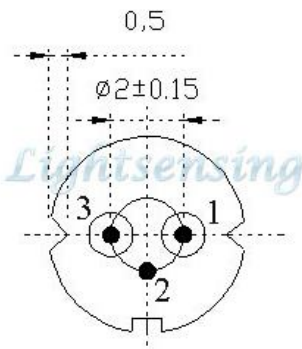
NOTICE: The above product specifications are subject to change without notice.

The package Dimensions



PIN description

Bottom View



| pin | function |
|-----|----------------------------|
| 1 | LD Cathode |
| 2 | LD anode, PD cathode, case |
| 3 | PD anode |

Order information

LSFLD1064-X-X

| | | |
|---------|----------|--|
| mW | X=a | a package with 4um SM, 9um SM or MM Fiber coupling with FC/UPC or FC/APC connector |
| X=15 | X=b | b package with 4um SM, 9um SM or MM Fiber coupling with FC/UPC or FC/APC connector |
| X=other | X=cJKST | c package with ST receptacle |
| | X=dJKFC | d package with FC receptacle |
| | X=e JKFC | e package with FC receptacle |
| | X=f JKFC | f package with FC receptacle |
| | X=Other | By customer's request |

The cautions

- 1: The above product specifications are subject to change without notice.
- 2: The suitable ESD protection is required in storage, transportation and using
- 3: The fiber bending radius no less than 20mm for avoiding fiber damaged ,Be sure the fiber coupling facet is clean before connecting it to opto-circuit.