

405nm 5mW high power UV LED

Version: 3.1 17-05-20

Model: LSLED405-5

Features:

- High reliability, High Radiant Intensity
- Narrow viewing angle
- High power up to 10mW at 20mA
- Hermetic TO46 Can with ball lens or with fiber coupling



L1



Fiber coupling

Applications:

- Optical sensor
- Industrial automatic control
- Instrument and equipment
- Medical applications

Absolute maximum ratings:

parameter	symbol	value	unit
Operating temperature	Top	-40~+80	°C
Storage temperature	Tstg	-45~+100	°C
Power dissipation	P _m	100	mW
Forward current	I _f	30	mA
Forward Pulse current*	I _p	60	mA
Reverse voltage	V _r	5	V
Soldering temperature(time)	T _s (10s)	260	°C

*: Pulse width Duty=2%, T=10us

Electrical and optical characteristics:(T=25°C)

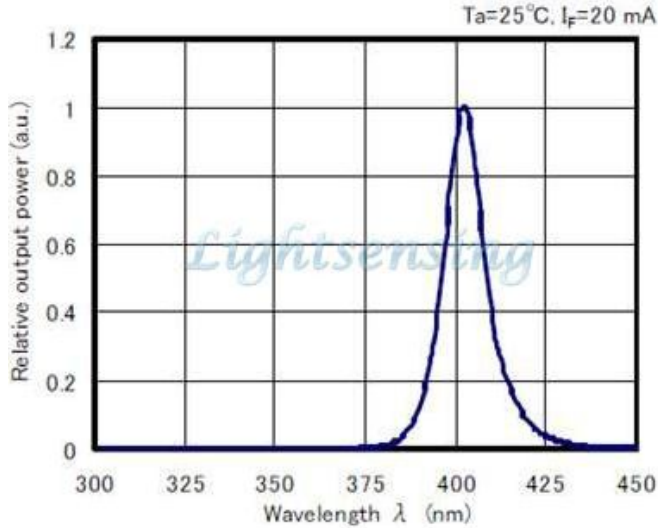
parameter	symbol	Min.	Typ.	Max.	unit
Center wavelength	λ	400	405	410	nm
Forward voltage	V _F (I _F =20mA)	3.0		3.6	V
Reverse Current	I _R (V _R =5V)			10	uA
Spectral width	$\Delta\lambda$ (I _F =20mA)	10	15	20	nm
Light output power(note1)	P _o (I _F =20mA)	5	10	13	mW
Beam viewing angle	ϕ		8		degree
package	TO46 Can with hermetical ball lens				

note1: 5mW-13mW Light output power is only for TO-46 Can with large ball lens cap

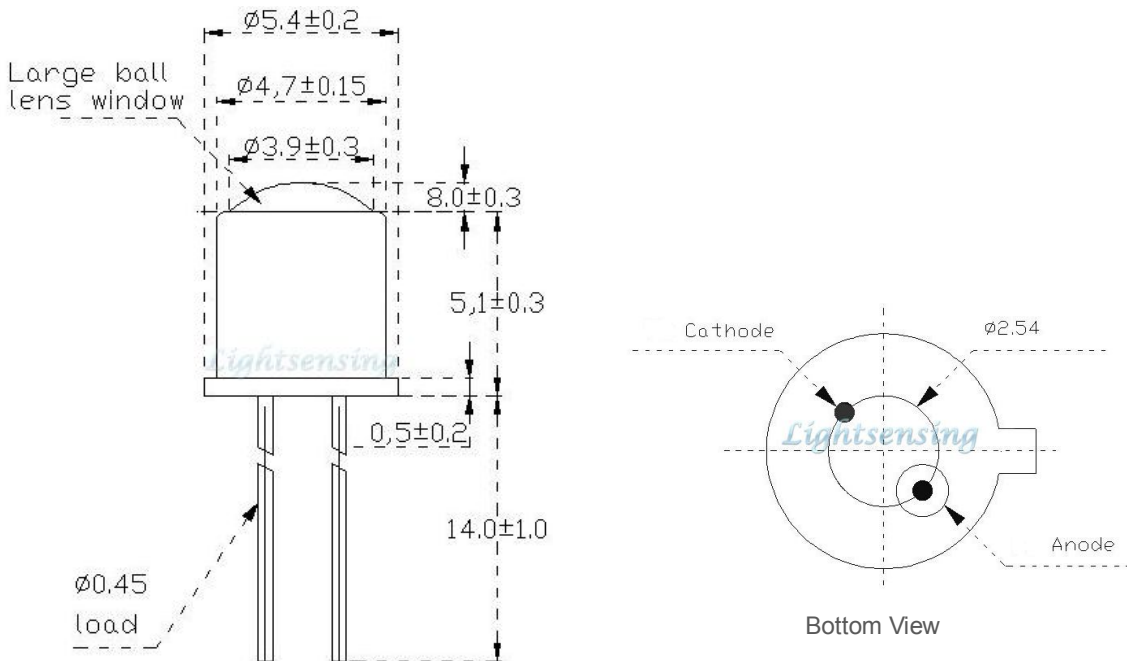
The light output power of device with fiber coupling depends on the core diameter of fiber.

NOTICE: The above product specifications are subject to change without notice.

The typical Spectral curve



TO package and Lead



Order information

LSLED405-X-X

X=5	5mW	X=L1	TO-46 Can with large ball lens cap
X=other		X=6MMFA/P	TO-46 Can with 62.5um MM Fiber coupling with FC-APC/FC-PC connector
		X=10MMA/P	TO-46 Can with 105um MM Fiber coupling with FC-APC/FC-PC connector
		X=20MMA/P	TO-46 Can with 200um MM Fiber coupling with FC-APC/FC-PC connector
		X=40MMA/P	TO-46 Can with 400um MM Fiber coupling with FC-APC/FC-PC connector
		X=Other	By customer's request

The cautions

- 1: The above product specifications are subject to change without notice.
- 2: The suitable ESD protecting measures are recommend in storage, transporting and using.
- 3: The fiber bending radius no less than 20mm for avoiding fiber damaged ,Be sure the fiber coupling facet is clean before connecting it to opto-circuit.

地址: 北京市海淀区苏州街12号西屋国际E座1201 邮编: 100080

Address: Building E Rm 1201, Westing house, No 12 Suzhou Street,, Haidian District, Beijing 100080, China.

TEL: +86-010-82873449 FAX: +86-010-62557230 Email: info@lightsensing.com Website: www.lightsensing.com