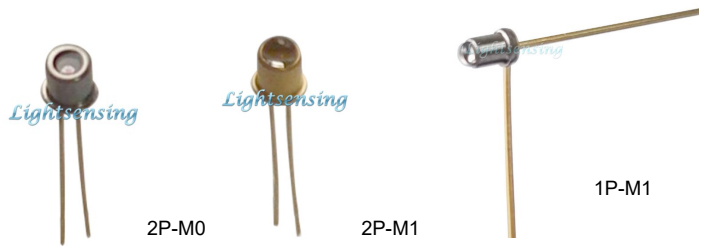


Mini Low Dark Current 0.3mm Analog InGaAs PIN photodiode

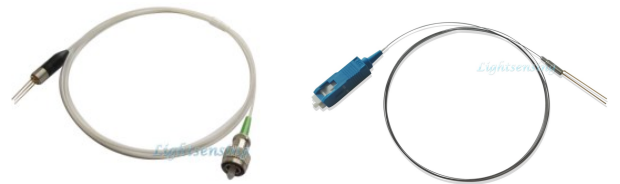
Version: 3.1.1 18-09-09

Model: LSIPD-UL0.3
Features:

- High reliability, Ultra low dark current
- Top illumination Planar PIN PD
- Active diameter 0.3mm
- Very small package: 2mm Mini TO Can or fiber coupling


Applications:

- Optical sensor
- Optical power meter
- Industrial automatic control
- Science analysis and experiment
- Space light detect equipment
- Response spectrum testing



Fiber coupling for 2P-M1

Bare Fiber coupling for 1P-M1

Absolute maximum ratings:

parameter	symbol	value	unit
Operating temperature	Top	-40~+85	°C
Storage temperature	Tstg	-40~+100	°C
Forward current	I _f	6	mA
Reverse voltage	V _r	20	V
Soldering temperature(time)	T _s (10s)	260	°C

Electrical and optical characteristics:(T=25°C)

parameter	symbol	unit	Value (typ.)
Active diameter	Φ	mm	0.3
Spectral range	λ	nm	800-1700
Responsivity	Re(V _R =0V,λ=1310nm)	mA/mW	0.85
	Re(V _R =0V,λ=1550nm)	mA/mW	0.90
Response time	Tr (R _L =50Ω, V _R =5V)	ns	0.8
Dark current	Id(V _R =0V)	pA	2
	Id(V _R =5V)	pA	20
Reverse Breakdown voltage	V _{BR} (I _R =10uA)	V	30
Junction capacitance	Cj (f=1MHz, V _R =0V)	pF	900
	Cj (f=1MHz, V _R =5V)	pF	5
Saturated Optical Power	Ps(V _R =5V)	mW	5
Operating voltage	V _R	V	0-10
Shunt resistance	R _{sh} (V _R =10mV)	GΩ	5
package	2mm Mini TO Can or fiber coupling		

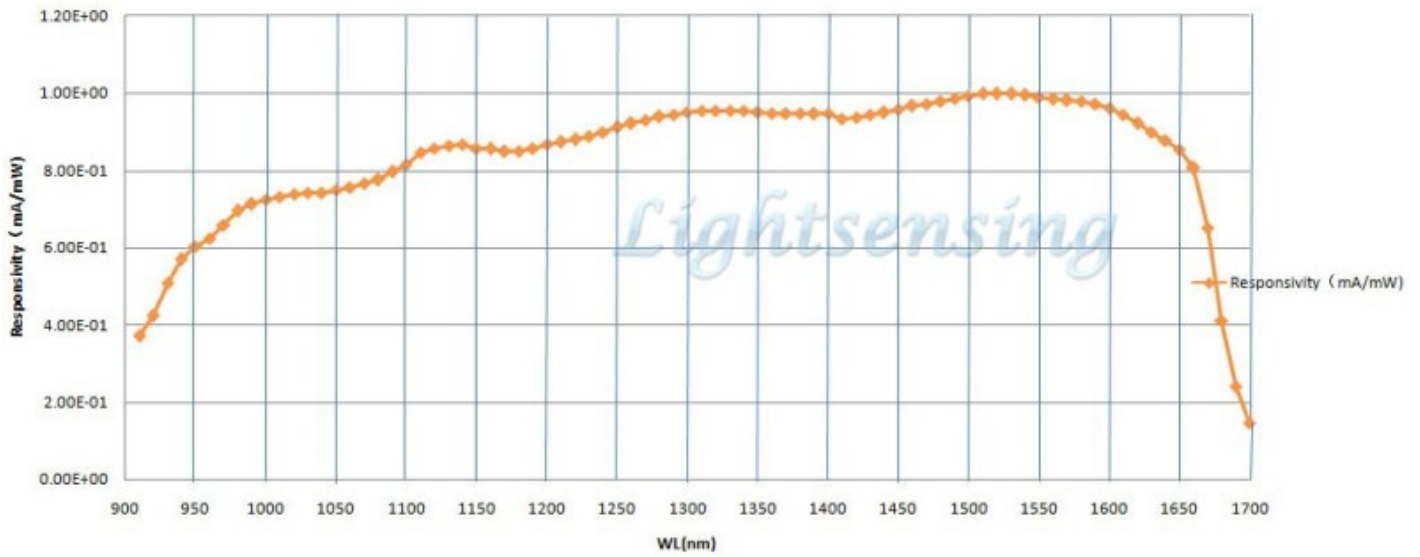
NOTICE: The above product specifications are subject to change without notice.

地址: 北京市海淀区苏州街 33 号 12 层 1202 邮编: 100080

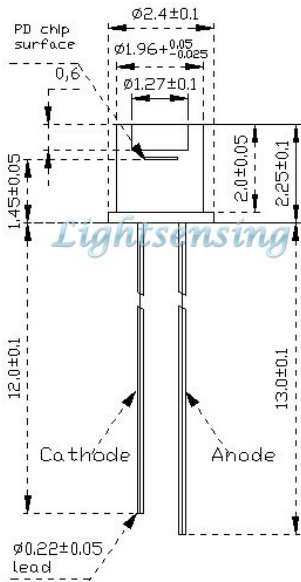
Address: Floor 12 Rm 1202, No 33 Suzhou Street, Haidian District, Beijing 100080, China.

 TEL: +86-010-82873449 FAX: +86-010-62557230 Email: info@lightsensing.com Website: www.lightsensing.com

The typical Responsivity curve

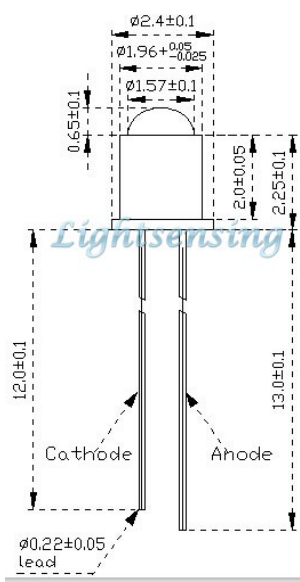


Mini TO package and Lead



flat window Mini 2PIN TO

Model: 2P-M0

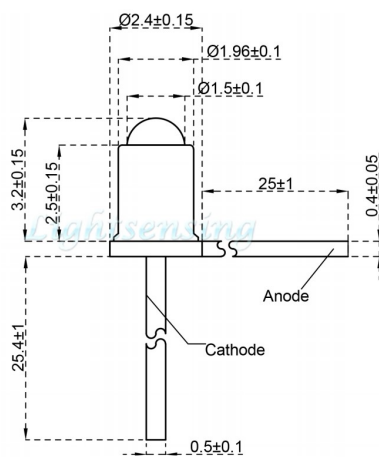


ball lens Mini 2PIN TO

Model: 2P-M1

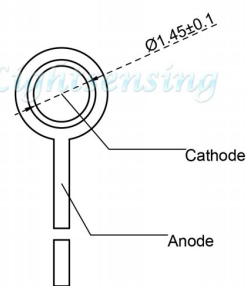


Bottom View of Mini 2PIN TO



ball lens Mini 1PIN TO

Model: 1P-M1



Bottom View of Mini 1PIN TO

地址: 北京市海淀区苏州街 33 号 12 层 1202 邮编: 100080

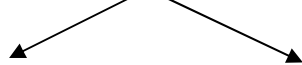
Address: Floor 12 Rm 1202, No 33 Suzhou Street, Haidian District, Beijing 100080, China.

TEL: +86-010-82873449 FAX: +86-010-62557230 Email: info@lightsensing.com Website: www.lightsensing.com

Note: In order to get other dimensions, please contact us.

Order information

LSIPD-UL0.3-X-X



PIN Description	X=M0	Mini Can with flat window cap
X=2P 2 parallel PIN	X=M1	Mini Can with ball lens cap
X=1P 1 parallel PIN	X=M1-SMFA/P	Mini Can with SM Fiber coupling with FC-APC/FC-PC connector
X=Other	X= M1-SMSA	Mini Can with SM Fiber coupling with SC-APC connector
	X= M1-5MMFA/P	Mini Can with 50um MM Fiber coupling with FC-APC/FC-PC connector
	X= M1-6MMFA/P	Mini Can with 62.5um MM Fiber coupling with FC-APC/FC-PC connector
	X=Other	By customer's request

The Cautions

- 1: The above product specifications are subject to change without notice.
- 2: The suitable ESD protecting measures are recommend in storage, transporting and using.
- 3: The fiber bending radius no less than 20mm for avoiding fiber damaged ,Be sure the fiber coupling facet is clean before connecting it to opto-circuit.